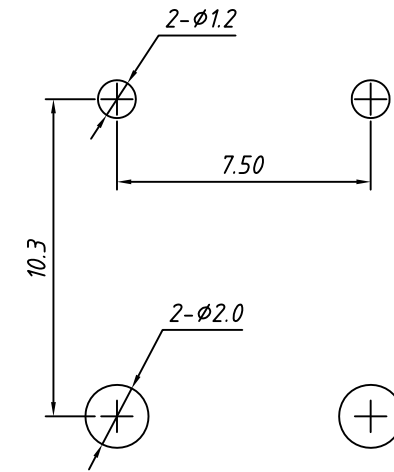
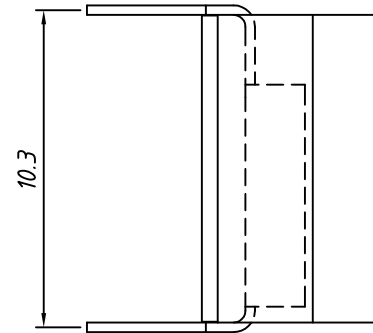
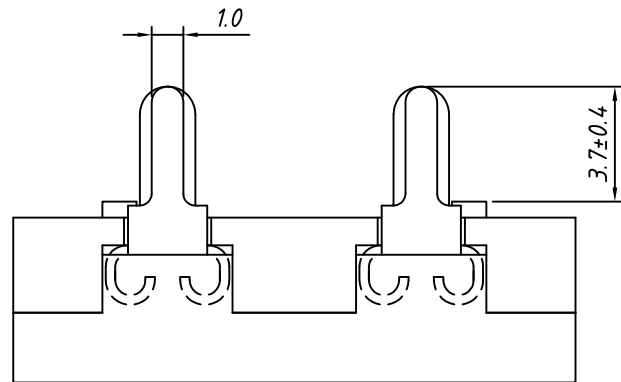
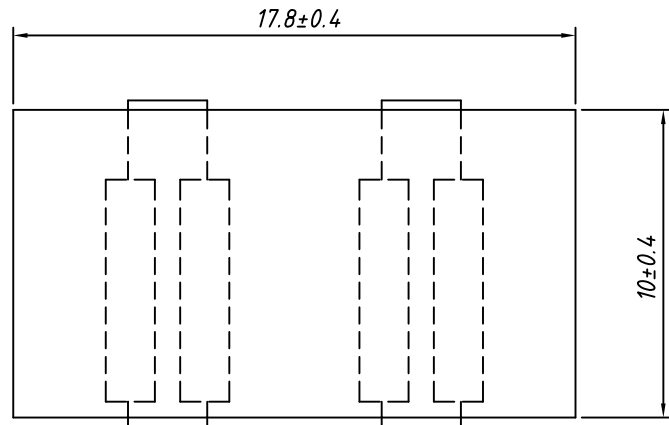
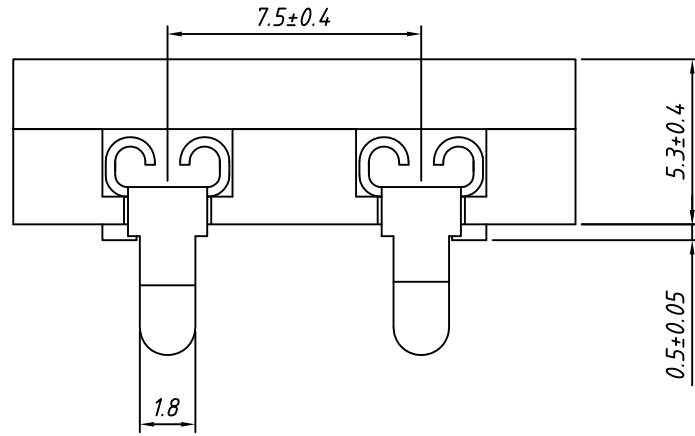
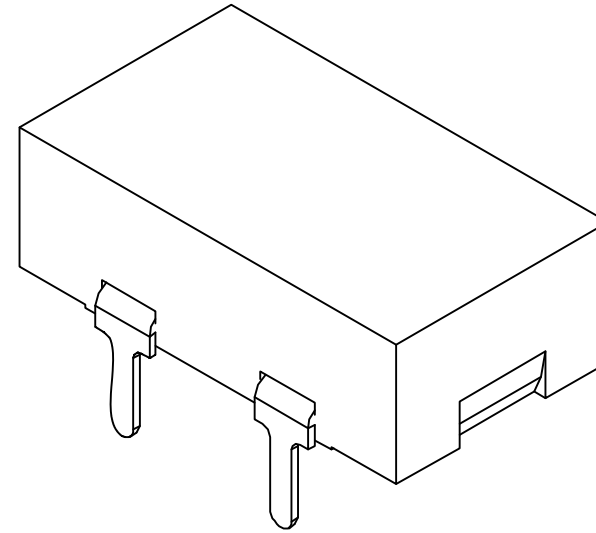


Characteristics:
 Voltage Rating: 250V
 Current Rating: 20A
 Insulation Resistance: 100M Ω Min. at 500VDC
 Dielectric Strength: AC 500 V Min. at 60s

Material:
 Contact: Brass, T=0.3mm, Tin Plated
 Insulator: High Temp Nylon+GF, UL94-V0
 Fuse type: Miniature Blade Fuse
 KLS5-269-xxx



Recommend Mounting Hole

GENERAL TOLERANCE	PROJECTION		Description:
.X ±1.00	UNITS	mm	32V Miniature Blade Fuse Clip
.X ±0.50	SCALE	4:1	
.XX ±0.30	Draw by:	Daniel	
ANGLE TOLERANCE	Check by:	Daniel	KLS P/N: L-KLS5-719EB
±5°	Date	2022-09-01	NingBo KLS ELECTRONIC CO.,L TD.
	SHEET	1 OF 1	